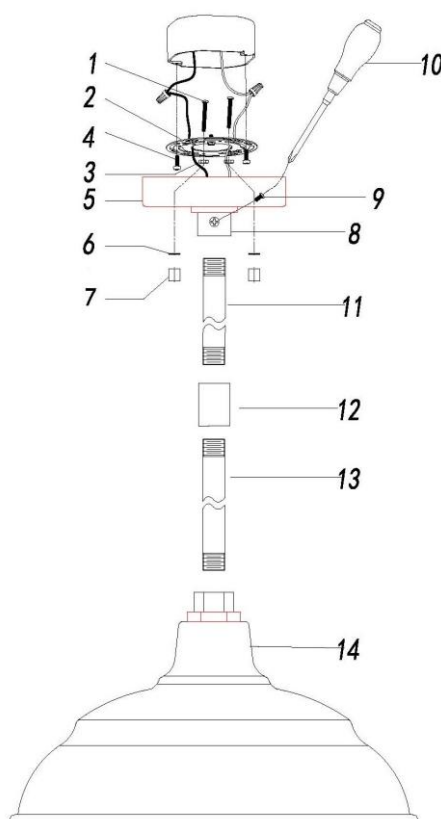




ASSEMBLY AND INSTALLATION INSTRUCTIONS for the **936315/936316** Outdoor Fixture

Important Safety information (Please read before proceeding)

1. Remove the fixture, parts and all mounting hardware bags (orange) from the carton and verify that all parts are present according to the illustration sheet. All parts must be used as indicated. Do not replace any parts, leave any parts out, or use any parts which are worn out or broken. **Failure to follow the instructions could cause a hazardous situation, voids the warranty and violates the U.L. listing of the fixture.**
2. To prevent the electric shock, turn off the main power at the circuit breaker before installing the fixture. **NEVER attempt to install, clean or replace bulbs without shutting off the electricity to the fixture.**
3. **Never use light bulbs with wattage ratings that exceed the fixtures maximum rating.** Always make sure the electric current is turned off before changing the bulbs.
4. If you experience difficulties installing the lighting fixture or it fails to work as expected, please contact a local qualified licensed electrical contractor.
5. Please contact your local Capital Lighting Fixture reseller with any assembly or installation questions. Your local reseller can also provide you with replacement parts for your new fixture.
6. **Not all components shown in the illustrations below are included with the purchase of this fixture and may need to be purchased separately.**



Components

1. Mounting Screw
2. Mounting Bar w/Green Screw
3. Hex Nut (8/32IP)
4. Outlet Box Mounting Screw
5. Canopy
6. Rubber Washer
7. Cylinder Nut
8. Rod-end Cover
9. Philips Screw
10. Philips Screw Driver (not provided)
11. Extension Rod (12")
12. Coupling
13. Extension Rod (24")
14. Fixture

Installation Instructions for the **936315/936316** RLM Outdoor Rod Mount Fixture

1. Pass lead wire from top of Fixture (14) through Extension Rod (13), Coupling (12), Extension Rod (11) and Canopy (5), then screw all together. After that, tighten Philips Screw (9) onto Rod-end Cover (8) with Philips Screw Driver (not provided) (10). *Note: The fixture height can be adjusted by the number of rods installed in the fixture.*
2. Find appropriate threaded holes on Mounting Bar (2), and assemble Mounting Screws (1) into threaded holes of Mounting Bar (2), then screw Hex Nuts (3) in the front side of Mounting Bar (2).
3. Attach Mounting Bar (2) to Outlet Box with Outlet Box Mounting Screws (4).
4. Raise Fixture (14) toward outlet box, then connect fixture ground wire to outlet box ground wire with wire connector supplied; connect white fixture wire to the white power supply wire with wire connector supplied; connect black fixture wire to the black power supply wire with wire connector supplied.
5. Push Fixture (14) to ceiling, carefully passing Mounting Screws (1) through holes in Canopy (5), then verify all wires are securely inside Canopy (5). Finally, secure fixture to ceiling with Rubber Washers (6) and Cylinder Nuts (7).
6. Install recommended bulb per wattage label indicated on the Socket.

Note: Guide for Outdoor Mounting Fixture and/or in Wet Locations:

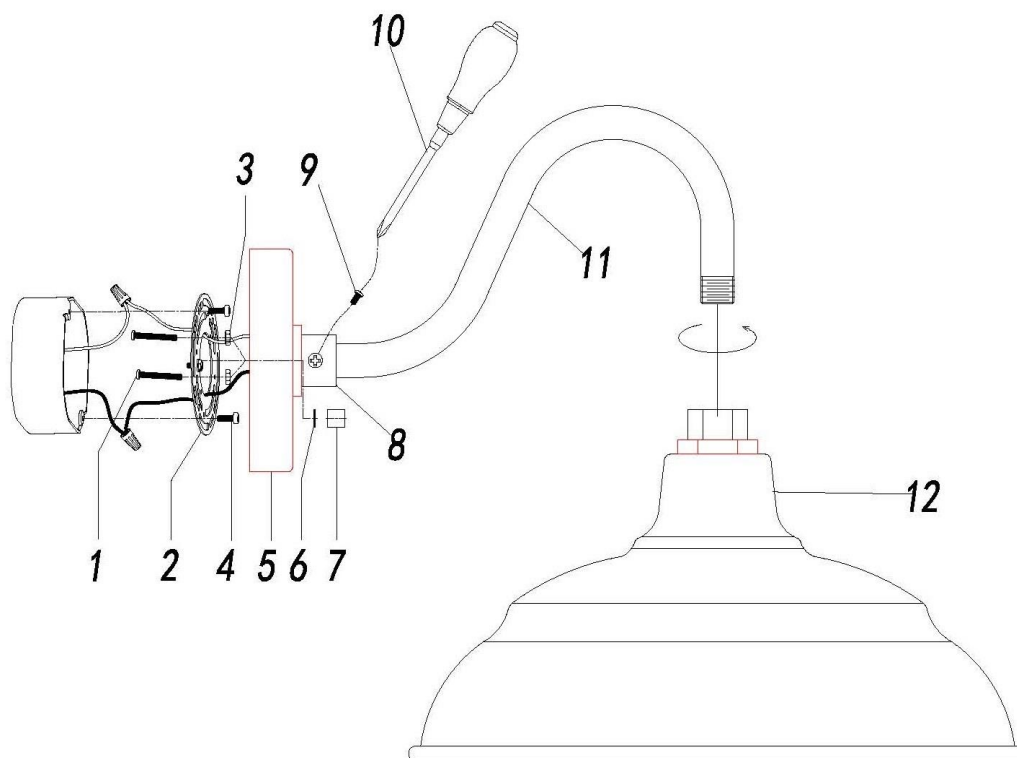
1. Mounting surface should be clean, dry, flat and 1/4" larger than the canopy on all sides. Any gaps between mounting surface and canopy exceeding 3/16" should be corrected as required.
2. Use silicone caulking compound (not provided), caulk completely around where back of canopy meets the wall surface to prevent water from seeping into outlet box.



ASSEMBLY AND INSTALLATION INSTRUCTIONS for the **936315/936316** Outdoor Fixture

Important Safety information (Please read before proceeding)

1. Remove the fixture, parts and all mounting hardware bags (orange) from the carton and verify that all parts are present according to the illustration sheet. All parts must be used as indicated. Do not replace any parts, leave any parts out, or use any parts which are worn out or broken. **Failure to follow the instructions could cause a hazardous situation, voids the warranty and violates the U.L. listing of the fixture.**
2. To prevent the electric shock, turn off the main power at the circuit breaker before installing the fixture. **NEVER attempt to install, clean or replace bulbs without shutting off the electricity to the fixture.**
3. **Never use light bulbs with wattage ratings that exceed the fixtures maximum rating.** Always make sure the electric current is turned off before changing the bulbs.
4. If you experience difficulties installing the lighting fixture or it fails to work as expected, please contact a local qualified licensed electrical contractor.
5. Please contact your local Capital Lighting Fixture reseller with any assembly or installation questions. Your local reseller can also provide you with replacement parts for your new fixture.
6. **Not all components shown in the illustrations below are included with the purchase of this fixture and may need to be purchased separately.**



Components

1. Mounting Screw
2. Mounting Bar w/Green Screw
3. Hex Nut (8/32IP)
4. Outlet Box Mounting Screw
5. Canopy
6. Rubber Washer
7. Cylinder Nut
8. Arm-end Cover
9. Philips Screw
10. Philips Screw Driver (not provided)
11. Goose Arm
12. Fixture

Installation Instructions for the **936315/936316** RLM Outdoor Wall Mount Fixture

1. Screw Goose Arm (11) onto Canopy (5), make sure Goose Arm (11) is perpendicular to both mounting holes in Canopy (5), then tighten Philips Screw (9) onto Arm-end Cover (8) with Philips Screw Driver (not provided) (10).
2. Pass lead wire from top of Fixture (12) through Goose Arm (11) and Canopy (5), then screw them tightly.
3. Find appropriate threaded holes on Mounting Bar (2), and assemble Mounting Screws (1) into threaded holes of Mounting Bar (2), then screw Hex Nuts (3) in the front side of Mounting Bar (2).
4. Attach Mounting Bar (2) to Outlet Box with Outlet Box Mounting Screws (4) in such a way that the 2 each 8/32 fixture mounting screws (1) are in a horizontal location.
5. Raise Fixture (12) toward outlet box, then connect fixture ground wire to outlet box ground wire with wire connector supplied; connect white fixture wire to the white power supply wire with wire connector supplied; connect black fixture wire to the black power supply wire with wire connector supplied.
6. Push Canopy (5) of Fixture to wall, carefully passing Mounting Screws (1) through holes, verify all wires are securely inside fixture back plate, then Secure Canopy (5) of Fixture to wall with Rubber Washers (6) and Cylinder Nuts (7).
7. Install recommended bulb per wattage label indicated on the Socket.

Note: Guide for Outdoor Mounting Fixture and/or in Wet Locations:

1. Mounting surface should be clean, dry, flat and 1/4" larger than the canopy on all sides. Any gaps between mounting surface and canopy exceeding 3/16" should be corrected as required.
2. Use silicone caulking compound (not provided), caulk completely around where back of canopy meets the wall surface to prevent water from seeping into outlet box.

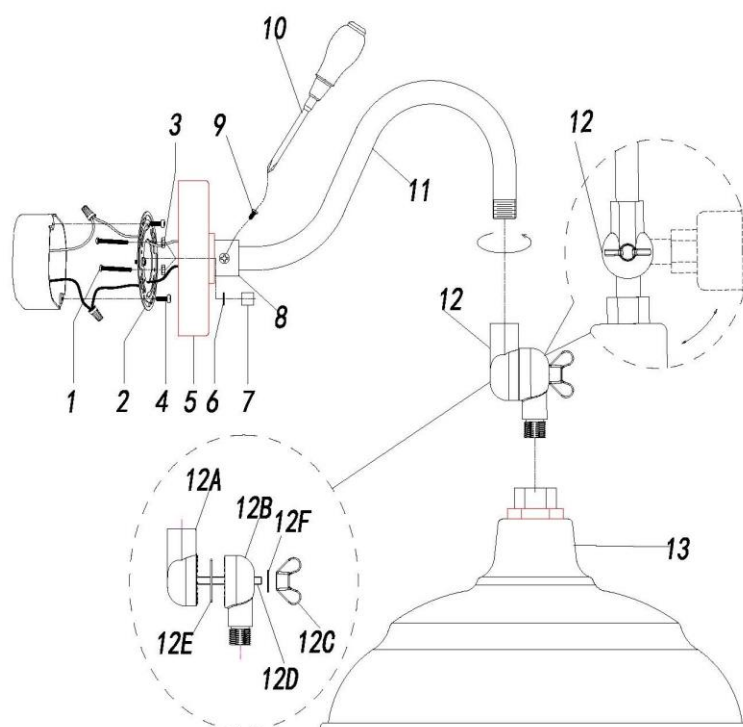


LIGHTING FIXTURE COMPANY

ASSEMBLY AND INSTALLATION INSTRUCTIONS for the **936315/936316** Outdoor Fixture

Important Safety information (Please read before proceeding)

1. Remove the fixture, parts and all mounting hardware bags (orange) from the carton and verify that all parts are present according to the illustration sheet. All parts must be used as indicated. Do not replace any parts, leave any parts out, or use any parts which are worn out or broken. **Failure to follow the instructions could cause a hazardous situation, voids the warranty and violates the U.L. listing of the fixture.**
2. To prevent the electric shock, turn off the main power at the circuit breaker before installing the fixture. **NEVER attempt to install, clean or replace bulbs without shutting off the electricity to the fixture.**
3. **Never use light bulbs with wattage ratings that exceed the fixtures maximum rating.** Always make sure the electric current is turned off before changing the bulbs.
4. If you experience difficulties installing the lighting fixture or it fails to work as expected, please contact a local qualified licensed electrical contractor.
5. Please contact your local Capital Lighting Fixture reseller with any assembly or installation questions. Your local reseller can also provide you with replacement parts for your new fixture.
6. **Not all components shown in the illustrations below are included with the purchase of this fixture and may need to be purchased separately.**



Components

1. Mounting Screw
2. Mounting Bar w/Green Screw
3. Hex Nut (8/32IP)
4. Outlet Box Mounting Screw
5. Canopy
6. Rubber Washer
7. Cylinder Nut
8. Arm-end Cover
9. Philips Screw
10. Philips Screw Driver (not provided)
11. Goose Arm
12. Swivel
13. Fixture

Installation Instructions for the **936315/936316 RLM Outdoor Swivel Wall Mount Fixture**

1. Screw Goose Arm (11) onto Canopy (5), make sure Goose Arm (11) is perpendicular to both mounting holes in Canopy (5), then tighten Philips Screw (9) onto Arm-end Cover (8) with Philips Screw Driver (not provided) (10).
2. Pass lead wire from top of Fixture (13) through Swivel (12), Goose Arm (11) and Canopy (5), then screw them tightly. *Note: If the lead wire is hard to pass through Swivel (12), please split Swivel (12) into two parts as the illustration shown. After wiring done, reassemble Swivel (12) together.*
3. Find appropriate threaded holes on Mounting Bar (2), and assemble Mounting Screws (1) into threaded holes of Mounting Bar (2), then screw Hex Nuts (3) in the front side of Mounting Bar (2).
4. Attach Mounting Bar (2) to Outlet Box with Outlet Box Mounting Screws (4) in such a way that the 2 each 8/32 fixture mounting screws (1) are in a horizontal location.
5. Raise Fixture (13) toward outlet box, then connect fixture ground wire to outlet box ground wire with wire connector supplied; connect white fixture wire to the white power supply wire with wire connector supplied; connect black fixture wire to the black power supply wire with wire connector supplied.
6. Push Canopy (5) of Fixture to wall, carefully passing Mounting Screws (1) through holes, verify all wires are securely inside fixture back plate, then Secure Canopy (5) of Fixture to wall with Rubber Washers (6) and Cylinder Nuts (7).
7. Adjust Swivel (12) to achieve desirable position (don't over loosen Knob of Swiveling Device). If the teeth are misaligned, please hold Fixture (13) and adjust the swiveling part with adjustable knob slightly until the teeth matching well.
8. Install recommended bulb per wattage label indicated on the Socket.

Note: Guide for Outdoor Mounting Fixture and/or in Wet Locations:

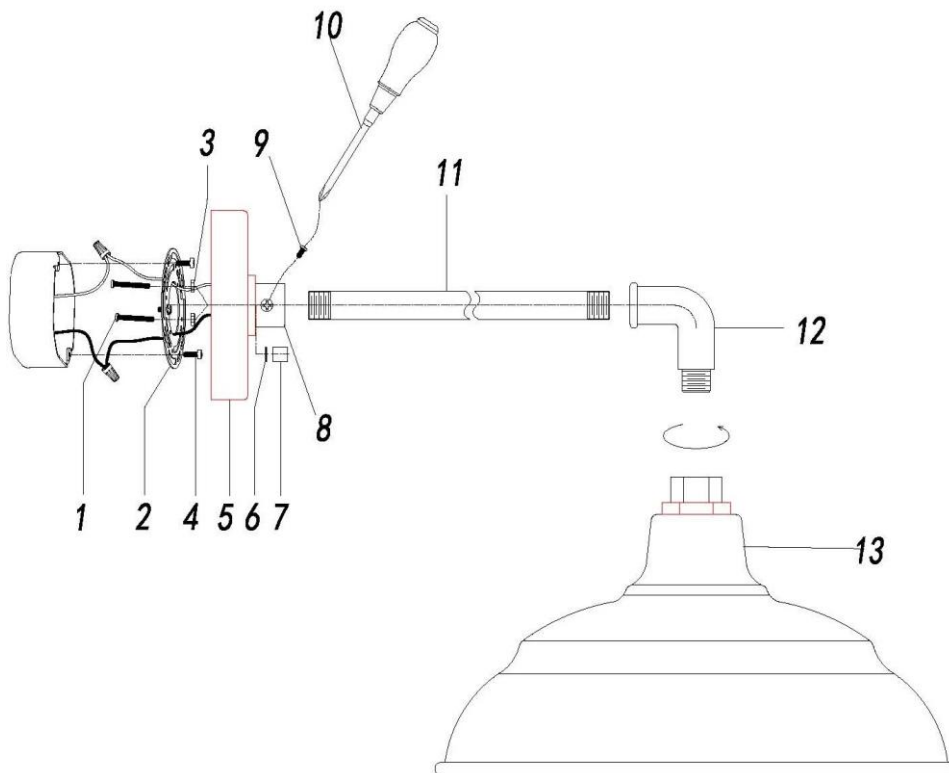
1. Mounting surface should be clean, dry, flat and 1/4" larger than the canopy on all sides. Any gaps between mounting surface and canopy exceeding 3/16" should be corrected as required.
2. Use silicone caulking compound (not provided), caulk completely around where back of canopy meets the wall surface to prevent water from seeping into outlet box.



ASSEMBLY AND INSTALLATION INSTRUCTIONS for the **936315/936316** Outdoor Fixture

Important Safety information (Please read before proceeding)

1. Remove the fixture, parts and all mounting hardware bags (orange) from the carton and verify that all parts are present according to the illustration sheet. All parts must be used as indicated. Do not replace any parts, leave any parts out, or use any parts which are worn out or broken. **Failure to follow the instructions could cause a hazardous situation, voids the warranty and violates the U.L. listing of the fixture.**
2. To prevent the electric shock, turn off the main power at the circuit breaker before installing the fixture. **NEVER attempt to install, clean or replace bulbs without shutting off the electricity to the fixture.**
3. **Never use light bulbs with wattage ratings that exceed the fixtures maximum rating.** Always make sure the electric current is turned off before changing the bulbs.
4. If you experience difficulties installing the lighting fixture or it fails to work as expected, please contact a local qualified licensed electrical contractor.
5. Please contact your local Capital Lighting Fixture reseller with any assembly or installation questions. Your local reseller can also provide you with replacement parts for your new fixture.
6. **Not all components shown in the illustrations below are included with the purchase of this fixture and may need to be purchased separately.**



Components

1. Mounting Screw
2. Mounting Bar w/Green Screw
3. Hex Nut (8/32IP)
4. Outlet Box Mounting Screw
5. Canopy
6. Rubber Washer
7. Cylinder Nut
8. Rod-end Cover
9. Philips Screw
10. Philips Screw Driver (not provided)
11. Extension Rod
12. Elbow
13. Fixture

Installation Instructions for the **936315/936316** RLM Outdoor Elbow Wall Mount Fixture

1. Screw Elbow (12), Extension Rod (11) and Canopy (5) together, make sure Elbow (12) is perpendicular to both mounting holes in Canopy (5), then tighten Philips Screw (9) onto Rod-end Cover (8) with Philips Screw Driver (not provided) (10).
2. Pass lead wire from top of Fixture (13) through Elbow (12) and Extension Rod (11) and Canopy (5), then screw them tightly.
3. Find appropriate threaded holes on Mounting Bar (2), and assemble Mounting Screws (1) into threaded holes of Mounting Bar (2), then screw Hex Nuts (3) in the front side of Mounting Bar (2).
4. Attach Mounting Bar (2) to Outlet Box with Outlet Box Mounting Screws (4) in such a way that the 2 each 8/32 fixture mounting screws (1) are in a horizontal location.
5. Raise Fixture (13) toward outlet box, then connect fixture ground wire to outlet box ground wire with wire connector supplied; connect white fixture wire to the white power supply wire with wire connector supplied; connect black fixture wire to the black power supply wire with wire connector supplied.
6. Push Canopy (5) of Fixture to wall, carefully passing Mounting Screws (1) through holes, verify all wires are securely inside fixture back plate, then Secure Canopy (5) of Fixture to wall with Rubber Washers (6) and Cylinder Nuts (7).
7. Install recommended bulb per wattage label indicated on the Socket.

Note: Guide for Outdoor Mounting Fixture and/or in Wet Locations:

1. Mounting surface should be clean, dry, flat and 1/4" larger than the canopy on all sides. Any gaps between mounting surface and canopy exceeding 3/16" should be corrected as required.
2. Use silicone caulking compound (not provided), caulk completely around where back of canopy meets the wall surface to prevent water from seeping into outlet box.

Update on Capital Lighting's RLM Warehouse Fixtures (3/31/20)

We have received feedback that attaching the warehouse shade to the Gooseneck arm or other wall-mounted/rod arrangements is confusing. Please reference this document (see next page) with details about using these two parts together. Please note all assembly instructions are included in the SHADE box.

We are adjusting our RLM assortment to include shades that are easier to use with Gooseneck Arms. They will mirror the way that our current Angle Shades are designed, with no cord, only 2 wires for running through the arm(s). The current "pendant" version of the shades with canopy included will still remain in the assortment as well.

The new "Shade Only" item numbers are listed below and will be available later this fall.

14" diameter shade only

with individual wires

(current cord version # 936311)

936315BK

936315GV

936315OZ

17" diameter shade only

with individual wires

(current cord version # 936312)

936316BK

936316GV

936316OZ



See next page for the clarification on how to use the current parts during the transition to these new part numbers. More information (including pricing) about the new part numbers will be provided as soon as they are available.

Thank you!

Your Capital Lighting Team

How to Prepare Capital Lighting's RLM Warehouse Shades for Wall Mounting

1. Remove the Canopy from the wire (confirm canopy comes already on the wire in the box)



REMOVE PRE-INSTALLED CANOPY AND
CORD GLAND FROM CORD

**Note this canopy is only for cord-hung
ceiling use. Do not use as backplate. Not
compatible with rods or other connectors.*

2. Remove the Cord Gland and short Coupling that come pre-installed on the cord



REMOVE PRE-INSTALLED CORD GLAND

REMOVE PRE-INSTALLED COUPLING

3. Use the rubber gasket and 2" coupling (included in the box with the shade – CONFIRM) to attach the shade to any rod part (including swivel, elbow, rod or gooseneck arm).



USE 2" COUPLING (INCLUDED IN BOX) AND
RUBBER GASKET (NOT SHOWN, SITS INSIDE
COUPLING)

Please reference the instructions included in the SHADE box for all assembly directions.